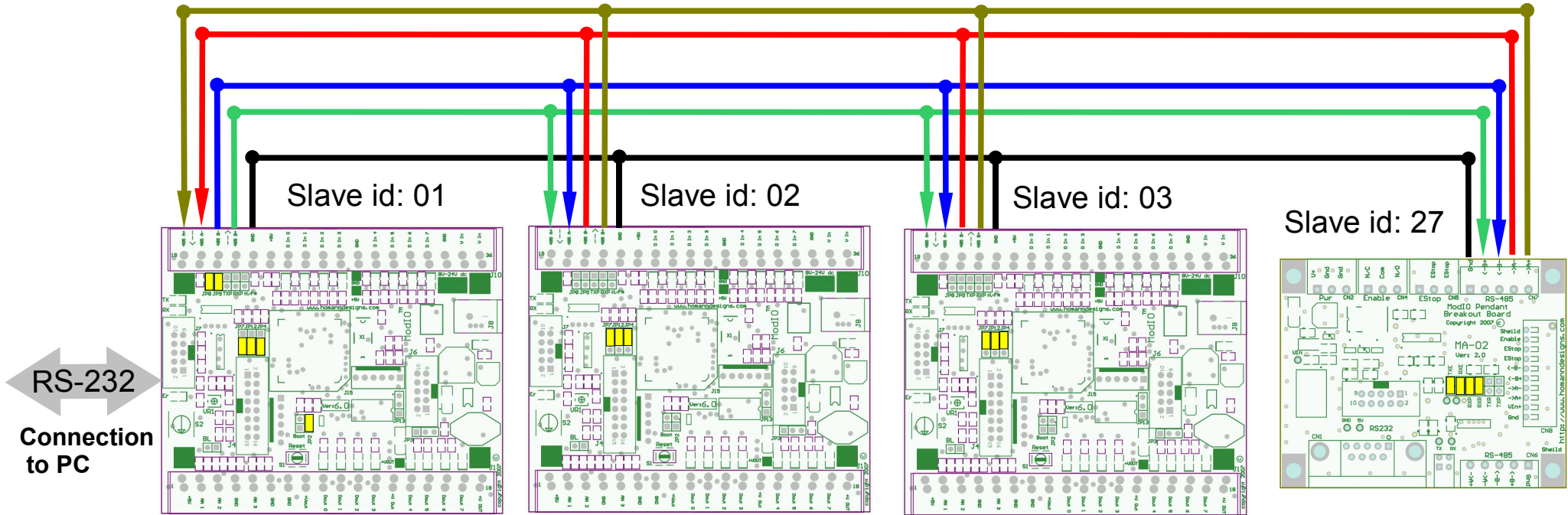


# RS-485 Network connection Setup

with  
MC-01 ModIO™ as RS-232 to RS485 Converter



Rev:1



RS-232

Connection to PC

RS-232-RS-485 Converter MC-01 Modio

Mode	JP7	JP12	JP4	JP-2
RS-232	1-2	1-2	2-3	off
RS-485	1-2	1-2	1-2	off
Converter	2-3	2-3	2-3	on

Network Pos.	JP-8	JP-9
Middle	off	off
End	on	on

RS-485 Slave MC-01 Modio

Mode	JP7	JP12	JP4	JP-2
RS-232	1-2	1-2	2-3	off
RS-485	1-2	1-2	1-2	off
Converter	2-3	2-3	2-3	on

Network Pos.	JP-8	JP-9
Middle	off	off
End	on	on

RS-485 Slave MC-01 Modio

Mode	JP7	JP12	JP4	JP-2
RS-232	1-2	1-2	2-3	off
RS-485	1-2	1-2	1-2	off
Converter	2-3	2-3	2-3	on

Network Pos.	JP-8	JP-9
Middle	off	off
End	on	on

RS-485 Slave MP-01 Pendant

Mode	TXE	RXE
RS-485	on	on
Converter	off	off

Network Pos.	TXR	RXR
Middle	off	off
End	on	on